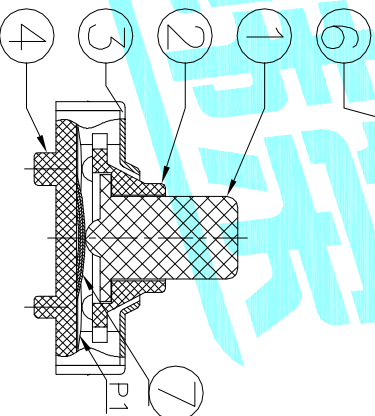


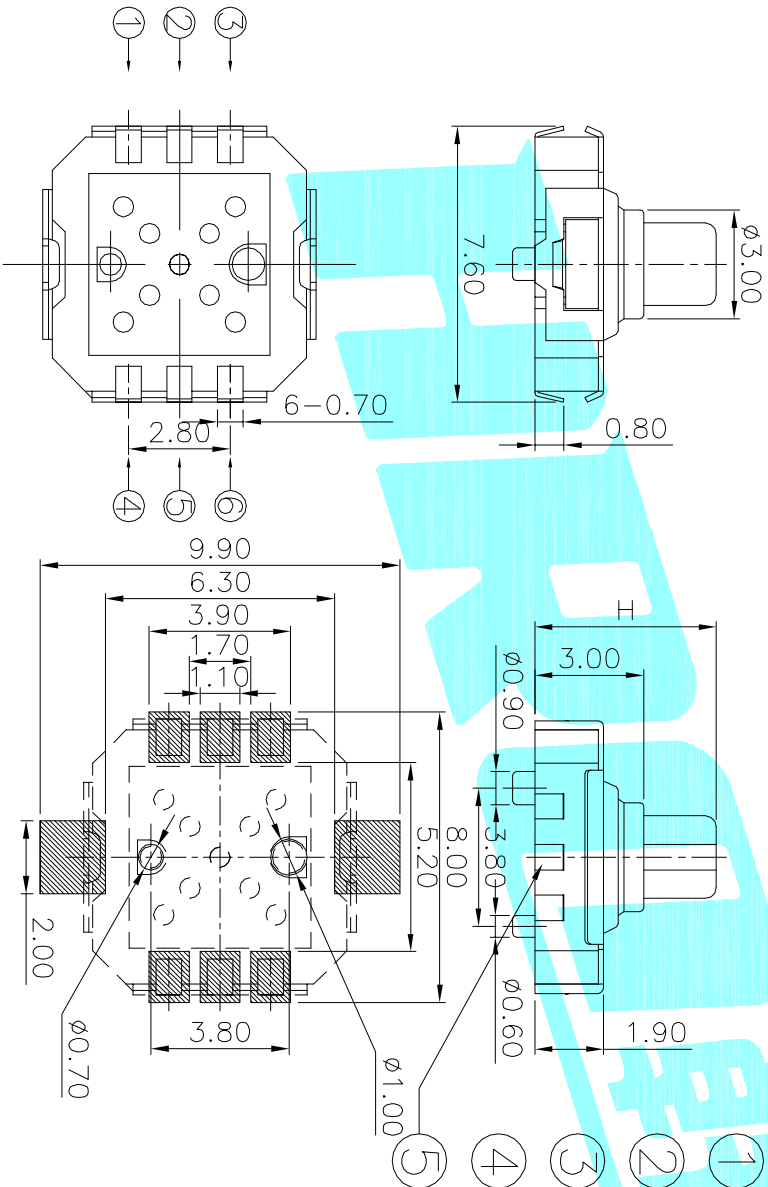
Circuit Diagram

PART NO.	H
K1-5202UA-01	5.0
K1-5202UA-02	6.0



**NOTE:**

Operating Force:  
lever portion: 170 ± 35 gf  
Push portion: 250gf, 350gf, 450gf



PCB Layout(Pattern Side)

ITEM	PART NAME	TER'NO.	QTY.	MATERIAL	FINISHING	REMARK
⑦	Mylar	---	1	Natural	---	---
⑥	Contact 1	---	1	F.Ag/SUS	---	---
⑤	Terminal	---	6	Brass(0.15t)	Plating silver	---
④	Base	---	1	LCP	Black	---
③	Cover	---	1	SUS	---	---
②	Axle sleeve	---	1	LCP	Black	---
①	Keystroke	---	1	PA46	Black	---

APPROVALS		DATE
DRAWN	J.X.Zhang	2013/7/23

APPROVALS				TITLE:			
CHECKED	---	---	---	MULTIFUNCTIONAL SWITCHS			
APPROVALS	---	---	---	PART NO.	K1-5202UA-01	PROJ.	---
TOLERANCES ARE	30~12.5 ±	±0.30	ANGLE	UNIT: mm	SCALE: 1:1	PROJ.	---
	10~30 ±	±0.20		DRAWING NO.			
	5~10 ±	±0.15	±2'				
	~5 ±	±0.10					
ECN NO.	---	---	---				
REV.	A	---	---				
DATE.	---	---	---				
				DESCRIPTION.	NEW		



ELECTRONICS CO.,LTD

SHEET 1 OF 1